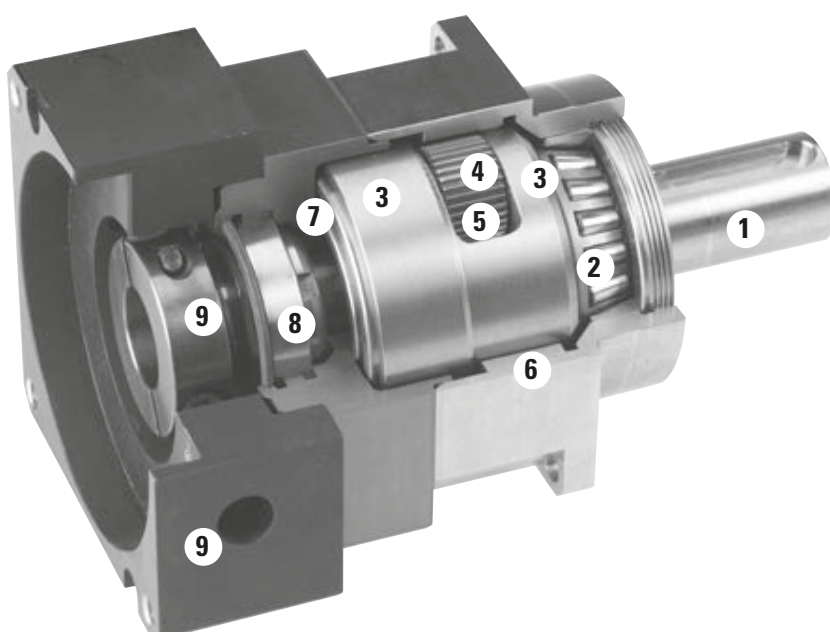


## EverTRUE™ Continuous Duty True Planetary Gearheads

Ready for Immediate Delivery	
Precision	4 arc-minutes
Frame Sizes	100 mm, 140 mm and 180 mm
Torque Capacity	up to 1017 Nm
Ratio Availability	4:1 thru 100:1
Radial load capacity	up to 44600 N
Mounting System	RediMount™

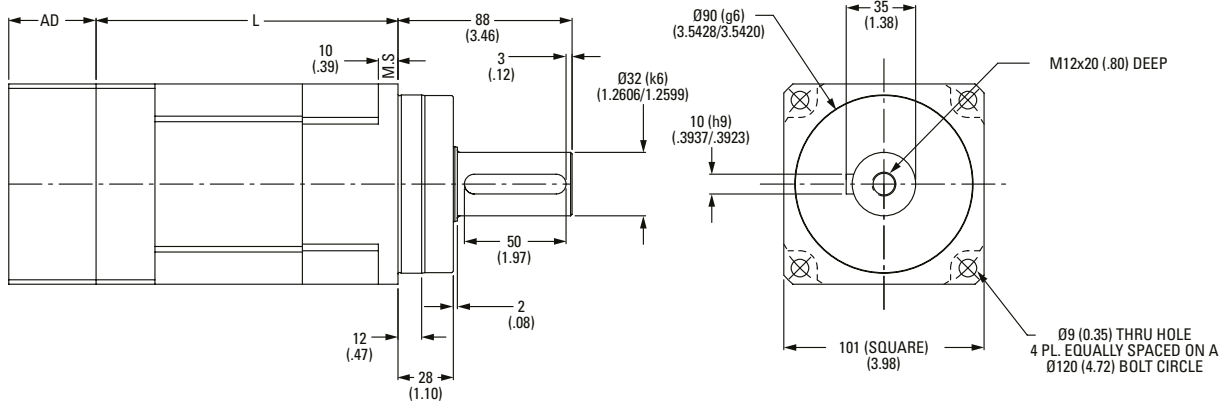
- ① **Single-piece output shaft with**  
straddle mount bearing for  
increased stiffness
- ② **High-capacity, tapered roller bearings**
- ③ **Double full complement needle**  
bearings for continuous operation
- ④ **Gears lubricated with**  
continuous duty grease
- ⑤ **True Planetary Gearing**  
optimized for continuous duty
- ⑥ **Single-piece output**  
housing with integral internal gear
- ⑦ **Angular contact bearing**
- ⑧ **Input bearing with thermal**  
compensation feature
- ⑨ **RediMount system**  
provides error-free installation



**Stainless steel output housing**

TRUE™ Planetary Gearheads

# EverTRUE Size 10 Continuous Duty True Planetary Gearheads



Ratio <sup>1</sup>	Stages	Dimension 'L' mm [in.]	Backlash [arc-min]	Weight kg [lb.]	Efficiency
4:1 to 10:1	1	78 [3.07]	4 max	6 [13]	95%
16:1 to 100:1	2	146 [5.75]	5 max	8 [18]	90%

All dimensions are in mm (in.)  
 AD\*\* = Adapter length  
 Adapter length will vary depending on motor.  
 Efficiency is calculated at 100% of the rated torque.

## Performance Specifications

Part Number	Ratio <sup>1</sup>	Intermittent (Trc) Nm [in.-lb.]	30000 Hour Life			T <sub>peak</sub> Nm [in.-lb.]	J kg-cm <sup>2</sup> [in.-lb.-sec <sup>2</sup> x10 <sup>-4</sup> ]	Torsional Stiffness Nm/arc-min [in.-lb./arc-min]
			T <sub>r</sub> (1000 rpm) Nm [in.-lb.]	T <sub>r</sub> (3000 rpm) Nm [in.-lb.]	T <sub>r</sub> (5000 rpm) Nm [in.-lb.]			
ET010-004	4:1	171 [1514]	147 [1303]	106 [937]	91 [804]	463 [4093]	1,50 [13.3]	28,27 [250]
ET010-005	5:1	178 [1579]	144 [1272]	110 [977]	95 [838]	451 [3991]	1,29 [11.5]	25,08 [222]
ET010-007	7:1	190 [1684]	137 [1217]	118 [1042]	101 [893]	433 [3830]	0,92 [8.1]	23,21 [205]
ET010-010	10:1	106 [940]	77 [677]	66 [581]	61 [539]	411 [3640]	0,86 [7.6]	15,84 [140]
ET010-016	16:1	245 [2166]	164 [1450]	151 [1340]	138 [1218]	517 [4577]	1,05 [9.2]	30,03 [267]
ET010-020	20:1	249 [2205]	166 [1470]	154 [1364]	147 [1303]	524 [4637]	1,05 [9.2]	26,73 [237]
ET010-025	25:1	242 [2140]	161 [1421]	150 [1324]	14 [127]	506 [4477]	1,05 [9.2]	26,73 [237]
ET010-028	28:1	255 [2261]	169 [1499]	158 [1399]	152 [1345]	533 [4718]	0,89 [7.9]	23,21 [205]
ET010-035	35:1	248 [2191]	164 [1448]	153 [1355]	148 [1306]	514 [4549]	0,75 [6.7]	22,99 [204]
ET010-040	40:1	262 [2316]	173 [1528]	162 [1433]	156 [1383]	542 [4794]	0,75 [6.7]	30,14 [267]
ET010-050	50:1	253 [2243]	167 [1475]	157 [1387]	152 [1341]	521 [4615]	0,74 [6.6]	26,51 [235]
ET010-070	70:1	241 [2131]	158 [1396]	149 [1318]	144 [1277]	491 [4349]	0,74 [6.6]	23,21 [205]
ET010-100	100:1	144 [1277]	102 [902]	89 [790]	84 [741]	459 [4059]	0,74 [6.6]	18,92 [168]

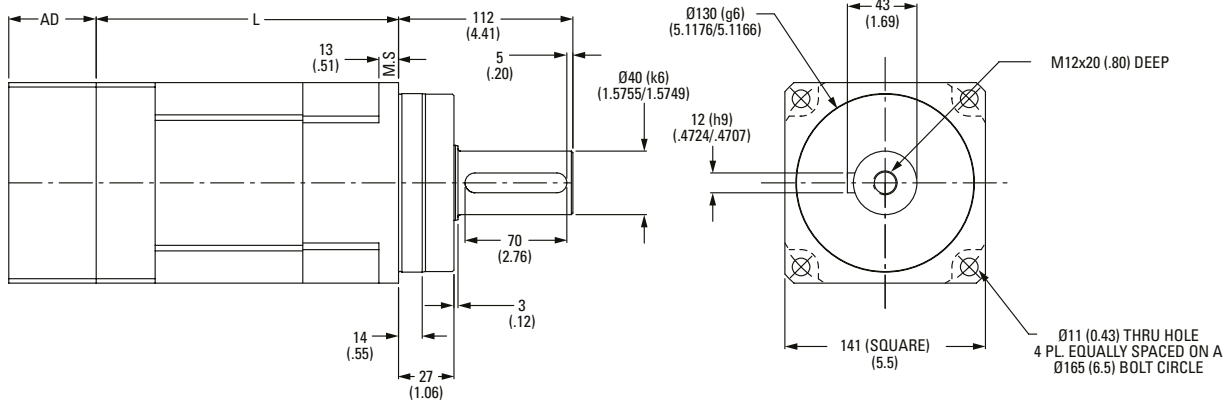
<sup>1</sup> Ratios are exact, higher ratios are also available, consult factory.  
 T<sub>r</sub> = Rated output torque at rated speed for specific hours of life.  
 T<sub>rc</sub> = Rated output torque for intermittent operation at 3,000 RPM  
 (20,000 hr life - for catalog comparison)

T<sub>peak</sub> = Allowable momentary peak torque for emergency stop or heavy shock loading.  
 J = Mass moment of inertia reflected to the input shaft (including pinion assembly).

**MICRON**

# EverTRUE™ Size 14 Continuous Duty

## True Planetary Gearheads



Ratio <sup>1</sup>	Stages	Dimension 'L' mm [in.]	Backlash [arc-min]	Weight kg [lb.]	Efficiency
4:1 to 10:1	1	110,5 [4.35]	4 max	14 [31]	95%
16:1 to 100:1	2	195 [7.69]	5 max	18 [40]	90%

All dimensions are in mm (in.)  
AD\*\* = Adapter length  
Adapter length will vary depending on motor.  
Efficiency is calculated at 100% of the rated torque.

## Performance Specifications

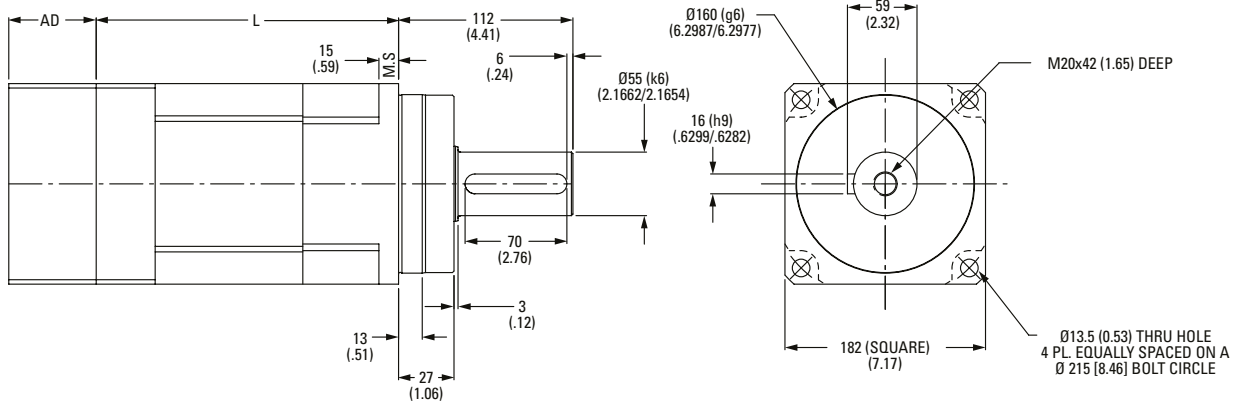
Part Number	Ratio <sup>1</sup>	Intermittent (Trc) Nm [in.-lb.]	30000 Hour Life			T <sub>peak</sub> Nm [in.-lb.]	J kg-cm <sup>2</sup> [in.-lb.-sec <sup>2</sup> x10 <sup>-4</sup> ]	Torsional Stiffness Nm/arc-min [in.-lb./arc-min]
			T <sub>r</sub> (1000 rpm) Nm [in.-lb.]	T <sub>r</sub> (3000 rpm) Nm [in.-lb.]	T <sub>r</sub> (5000 rpm) Nm [in.-lb.]			
ET014-004	4:1	417 [3694]	345 [3055]	258 [2285]	221 [1960]	1066 [9431]	6,18 [55]	60,50 [536]
ET014-005	5:1	435 [3849]	336 [2972]	269 [2381]	231 [2042]	1040 [9206]	4,77 [42]	56,10 [497]
ET014-007	7:1	464 [4105]	322 [2849]	287 [2539]	246 [2179]	1002 [8866]	3,61 [32]	51,70 [458]
ET014-010	10:1	253 [2237]	183 [1618]	156 [1384]	145 [1279]	956 [8459]	3,22 [29]	38,50 [341]
ET014-016	16:1	573 [5070]	386 [3413]	354 [3136]	336 [2971]	1206 [10674]	4,00 [35]	63,80 [565]
ET014-020	20:1	584 [5168]	391 [3463]	361 [3197]	345 [3055]	1224 [10832]	3,87 [34]	59,40 [526]
ET014-025	25:1	567 [5016]	378 [3347]	351 [3103]	336 [2972]	1182 [10463]	3,87 [34]	59,40 [526]
ET014-028	28:1	600 [5309]	399 [3535]	371 [3284]	356 [3150]	1248 [11047]	3,35 [30]	51,70 [458]
ET014-035	35:1	581 [5145]	386 [3415]	360 [3182]	346 [3059]	1204 [10653]	2,84 [25]	48,40 [428]
ET014-040	40:1	616 [5448]	408 [3608]	381 [3370]	367 [3245]	1271 [11248]	2,84 [25]	63,80 [565]
ET014-050	50:1	596 [5274]	393 [3482]	369 [3262]	356 [3146]	1224 [10831]	2,71 [24]	59,40 [526]
ET014-070	70:1	567 [5019]	373 [3299]	351 [3104]	339 [3002]	1155 [10223]	2,71 [24]	53,90 [478]
ET014-100	100:1	346 [3058]	245 [2164]	214 [1892]	200 [1772]	1081 [9564]	2,71 [24]	38,50 [341]

<sup>1</sup> Ratios are exact, higher ratios are also available, consult factory.  
T<sub>r</sub> = Rated output torque at rated speed for specific hours of life.  
T<sub>rc</sub> = Rated output torque for intermittent operation at 3,000 RPM (20,000 hr life - for catalog comparison)

T<sub>peak</sub> = Allowable momentary peak torque for emergency stop or heavy shock loading.  
J = Mass moment of inertia reflected to the input shaft (including pinion assembly).

TRUE™ Planetary Gearheads

# EverTRUE Size 18 Continuous Duty True Planetary Gearheads



Ratio <sup>1</sup>	Stages	Dimension 'L' mm [in.]	Backlash [arc-min]	Weight kg [lb.]	Efficiency
4:1 to 10:1	1	136 [5.35]	4 max	40 [88]	95%
16:1 to 100:1	2	244 [9.59]	5 max	45 [99]	90%

All dimensions are in mm (in.)  
 AD\*\* = Adapter length  
 Adapter length will vary depending on motor.  
 Efficiency is calculated at 100% of the rated torque.

## Performance Specifications

Part Number	Ratio <sup>1</sup>	Intermittent (Trc) Nm [in.-lb.]	30000 Hour Life			T <sub>peak</sub> Nm [in.-lb.]	J kg-cm <sup>2</sup> [in.-lb.-sec <sup>2</sup> x10 <sup>-4</sup> ]	Torsional Stiffness Nm/arc-min [in.-lb./arc-min]
			T <sub>r</sub> (1000 rpm) Nm [in.-lb.]	T <sub>r</sub> (3000 rpm) Nm [in.-lb.]	T <sub>r</sub> (5000 rpm) Nm [in.-lb.]			
ET018-004	4:1	933 [8254]	802 [7099]	577 [5105]	495 [4380]	2442 [21609]	24,61 [218]	168,30 [1461]
ET018-005	5:1	972 [8602]	782 [6923]	601 [5321]	516 [4565]	2389 [21143]	19,00 [168]	165,00 [1461]
ET018-007	7:1	1037 [9174]	752 [6652]	641 [5675]	550 [4868]	2308 [20429]	13,87 [123]	147,40 [1306]
ET018-010	10:1	592 [5242]	430 [3806]	366 [3242]	338 [2990]	2210 [19561]	12,35 [109]	111,10 [984]
ET018-016	16:1	1335 [11816]	904 [8003]	826 [7309]	750 [6639]	2800 [24779]	15,30 [136]	177,10 [1569]
ET018-020	20:1	1363 [12061]	919 [8129]	843 [7460]	802 [7099]	2846 [25187]	14,82 [131]	171,60 [1520]
ET018-025	25:1	1325 [11722]	889 [7866]	819 [7251]	782 [6923]	2754 [24370]	14,82 [131]	144,10 [1277]
ET018-028	28:1	1403 [12414]	939 [8311]	868 [7679]	830 [7342]	2910 [25751]	12,83 [114]	151,80 [1345]
ET018-035	35:1	1361 [12047]	908 [8033]	842 [7452]	807 [7142]	2810 [24870]	10,83 [96]	136,40 [1209]
ET018-040	40:1	1443 [12767]	960 [8492]	892 [7897]	857 [7580]	2970 [26281]	10,83 [96]	177,10 [1569]
ET018-050	50:1	1398 [12371]	927 [8201]	865 [7652]	832 [7361]	2863 [25338]	10,36 [92]	171,60 [1520]
ET018-070	70:1	1332 [11789]	879 [7778]	824 [7292]	795 [7037]	2707 [23959]	10,36 [92]	151,80 [1345]
ET018-100	100:1	816 [7219]	578 [5117]	505 [4465]	472 [4180]	2537 [22454]	10,36 [92]	113,30 [1004]

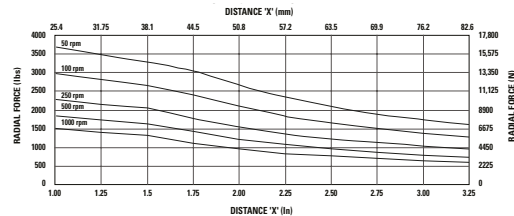
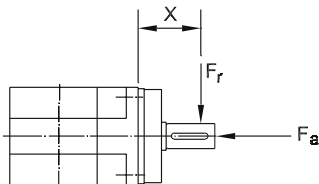
<sup>1</sup> Ratios are exact, higher ratios are also available, consult factory.  
 T<sub>r</sub> = Rated output torque at rated speed for specific hours of life.  
 T<sub>rc</sub> = Rated output torque for intermittent operation at 3,000 RPM (20,000 hr life - for catalog comparison)

T<sub>peak</sub> = Allowable momentary peak torque for emergency stop or heavy shock loading.  
 J = Mass moment of inertia reflected to the input shaft (including pinion assembly).

**MICRON**

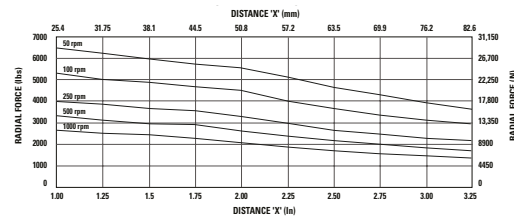
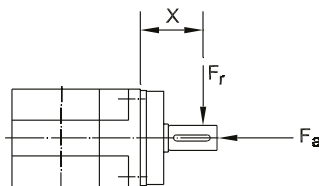
## Radial and Axial Load Ratings

ET010



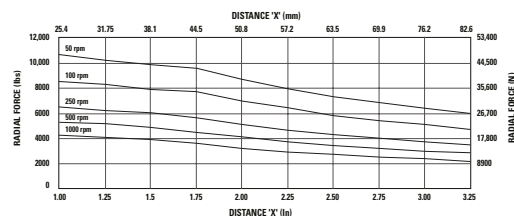
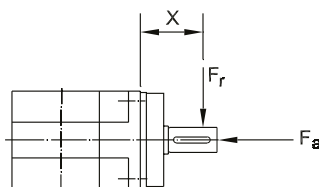
Speed rpm	Axial Load, $F_a$ N [lb <sub>f</sub> ]
50	13675 [3075]
100	11107 [2497]
250	8435 [1897]
500	6855 [1542]
1000	5568 [1252]

ET014



Speed rpm	Axial Load, $F_a$ N [lb <sub>f</sub> ]
50	25074 [5705]
100	20609 [4633]
250	15657 [3520]
500	12716 [2859]
1000	10329 [2322]

ET018



Speed rpm	Axial Load, $F_a$ N [lb <sub>f</sub> ]
50	34538 [7765]
100	27414 [6163]
250	20197 [4541]
500	16034 [3605]
1000	12726 [2861]

These graphs display the allowable radial load at a given distance (X) from the mounting surface based on an  $L_{10}$  life of 10,000 hours for the mean output speed  $n_{\text{mout}}$ , as described on page 9.

**TRUE™ Planetary Gearheads**

